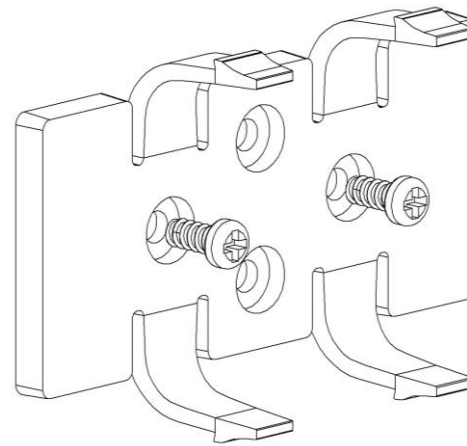
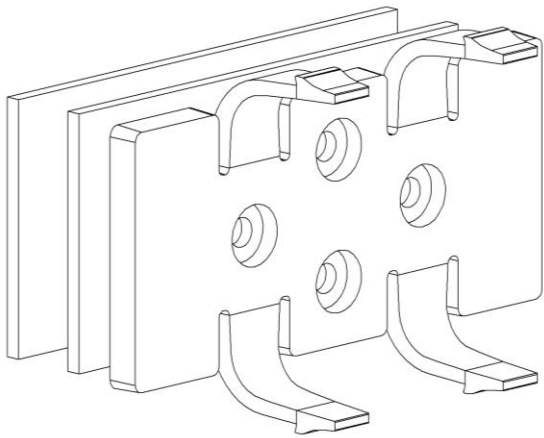
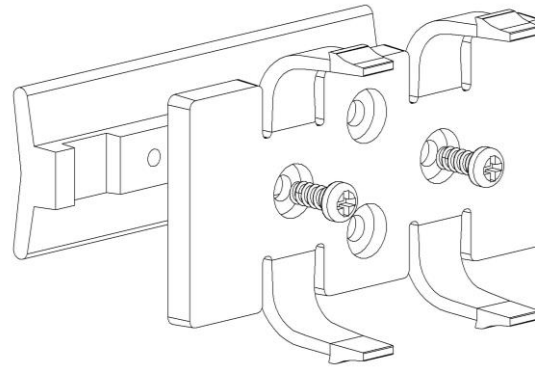
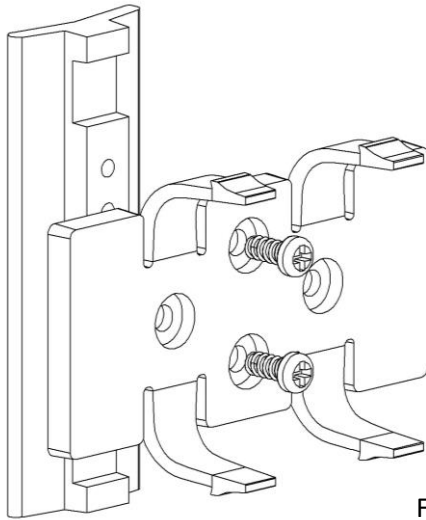


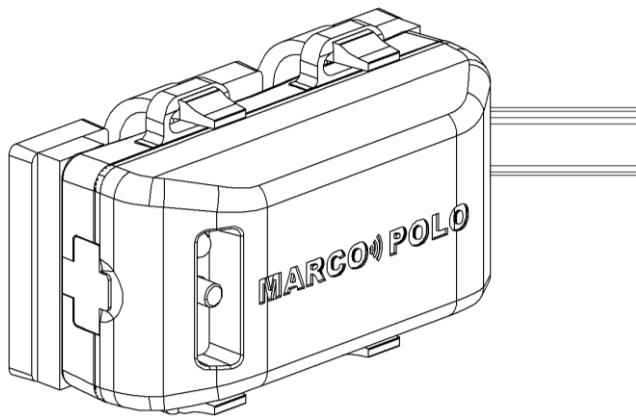
The tag transceiver can be mounted directly using zip-ties placed through the eyelets or by attaching to a flat surface using Velcro or double-sided tape.



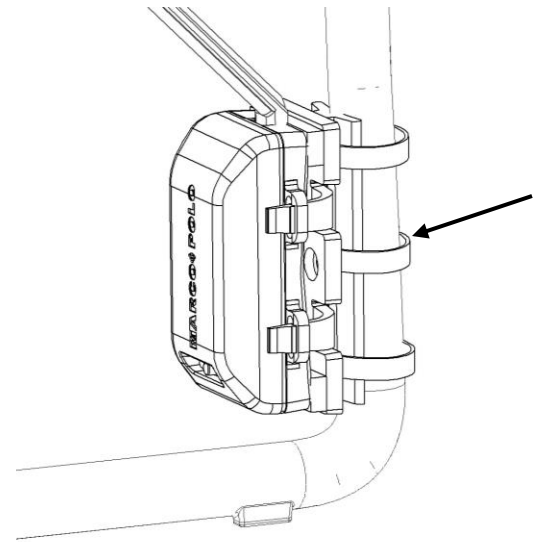
The mounting clip can be fastened to flat surfaces using Velcro, double-sided tape or screws.



For attaching the mounting clip to curved surfaces, the supplied strut adapter can be used in either the vertical or horizontal positions as shown above.



Once the mounting clip is attached to an object, the tag can be clipped into place. Be certain to align all 4 hooks in the clip with the 4 eyelets and then press firmly to fully engage the hooks.



When using the strut adapter, feed zip-ties through the slots in-between the mounting clip and the strut adapter.

Note that when removing the tag from the mounting clip it is best to use 2 hands and squeeze all 4 hooks firmly against the sides of the tag while pulling up on the tag. Inserting and removing the tag from the mounting clip is much easier after the mounting clip is firmly attached to an object.